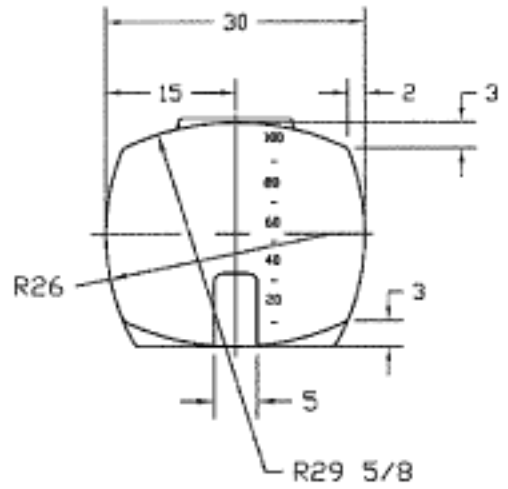
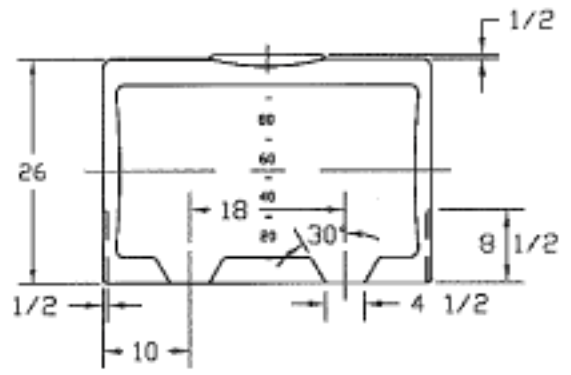
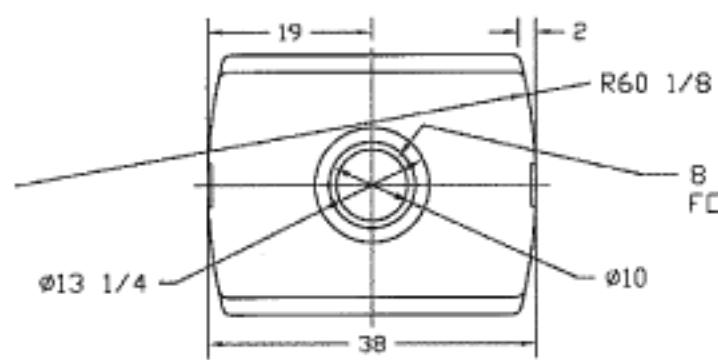


REVISIONS				
ZONE	REV	DESCRIPTION	DATE	APPROVED



- 24 3/32
- 21 7/16
- 19
- 16 11/16
- 14 7/16
- 12 7/32
- 9 31/32
- 7 11/16
- 5 11/32
- 2 25/32
- 0

JTP 30JUN95				
		100 GALLON PCO TANK		
SIZE B	PSOM NO.	DWG NO.	REV	
SCALE 1/16	SHEET			